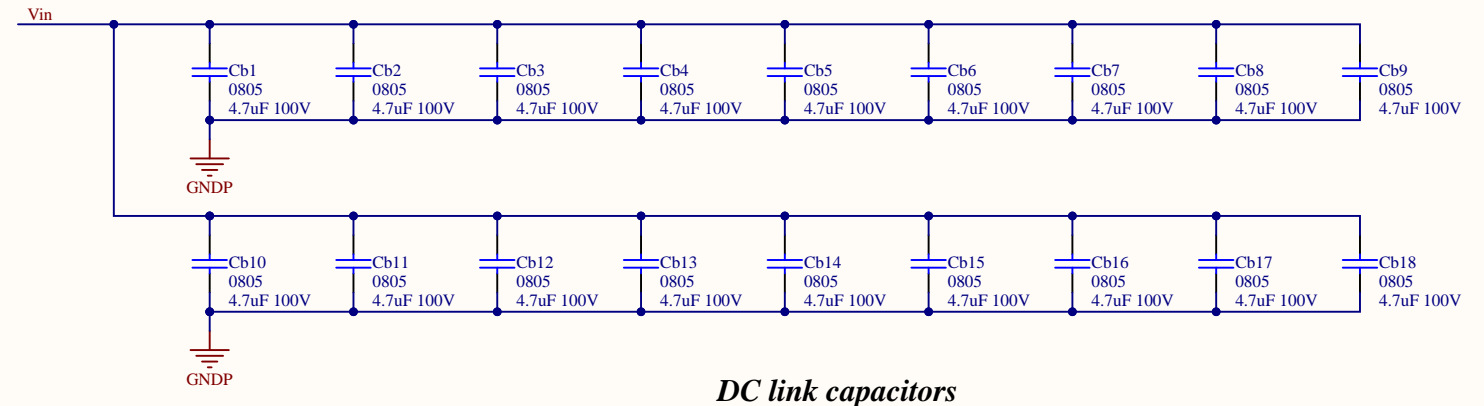
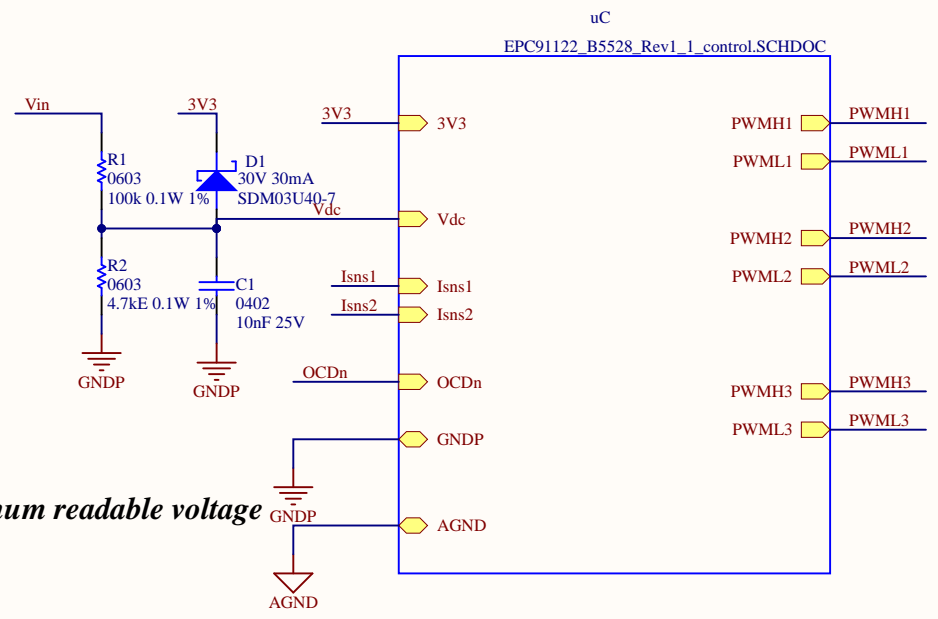


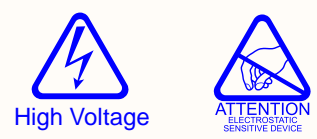
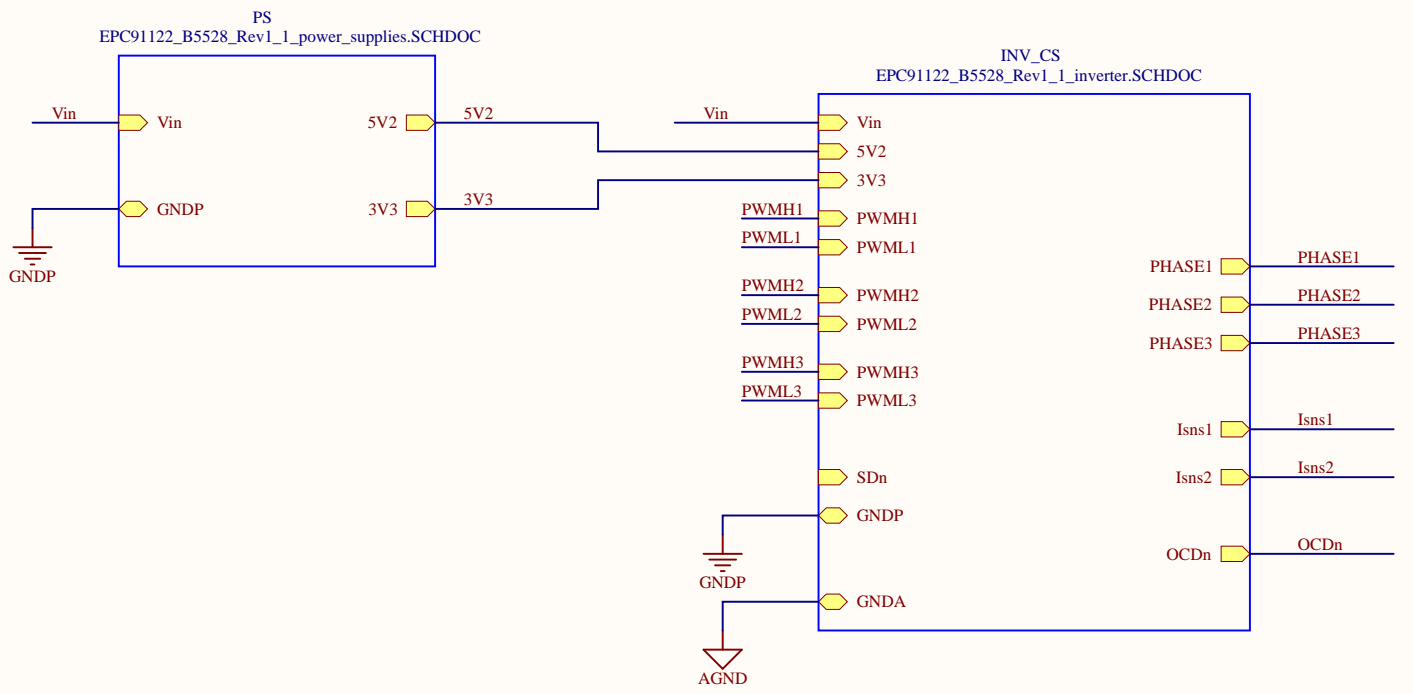
Input voltage 10 V - 65 V
5V power supply limited to 70 V max



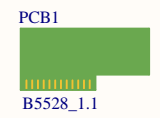
DC link capacitors



44.89 mV/V
73.5 V maximum readable voltage



Serial# yyww-



For evaluation only;
not FCC approved for resale

Title: EPC91122 - Humanoid joint motor drive with EPC33110		© EPC 2026
Design #: EPC91122	PCB #: B5528	Efficient Power Conversion 909 N. Pacific Coast Hwy. Ste 230 El Segundo, CA 90245 U.S.A. www.epc-co.com
Revision 1.1	Revision: 1.1	
Date: 19/01/2026	Sheet 1 of 4	
File: EPC91122_B5528_Rev1_1_Main.SCHDOC		

