

Addendum Statement; Ongoing testing of the EPC9509 revealed that the improvement in performance of the EPC2108 based design exceeded that of earlier design criteria and as such the design could further be improved to increase efficiency by changing Lzvs1 and Lzvs2 from 390nH (Coilcraft 2929SQ-391JEB) to 500nH (Coilcraft 2929SQ-501JEB).

Figure 11: EPC9509 - ZVS class-D amplifier schematic.

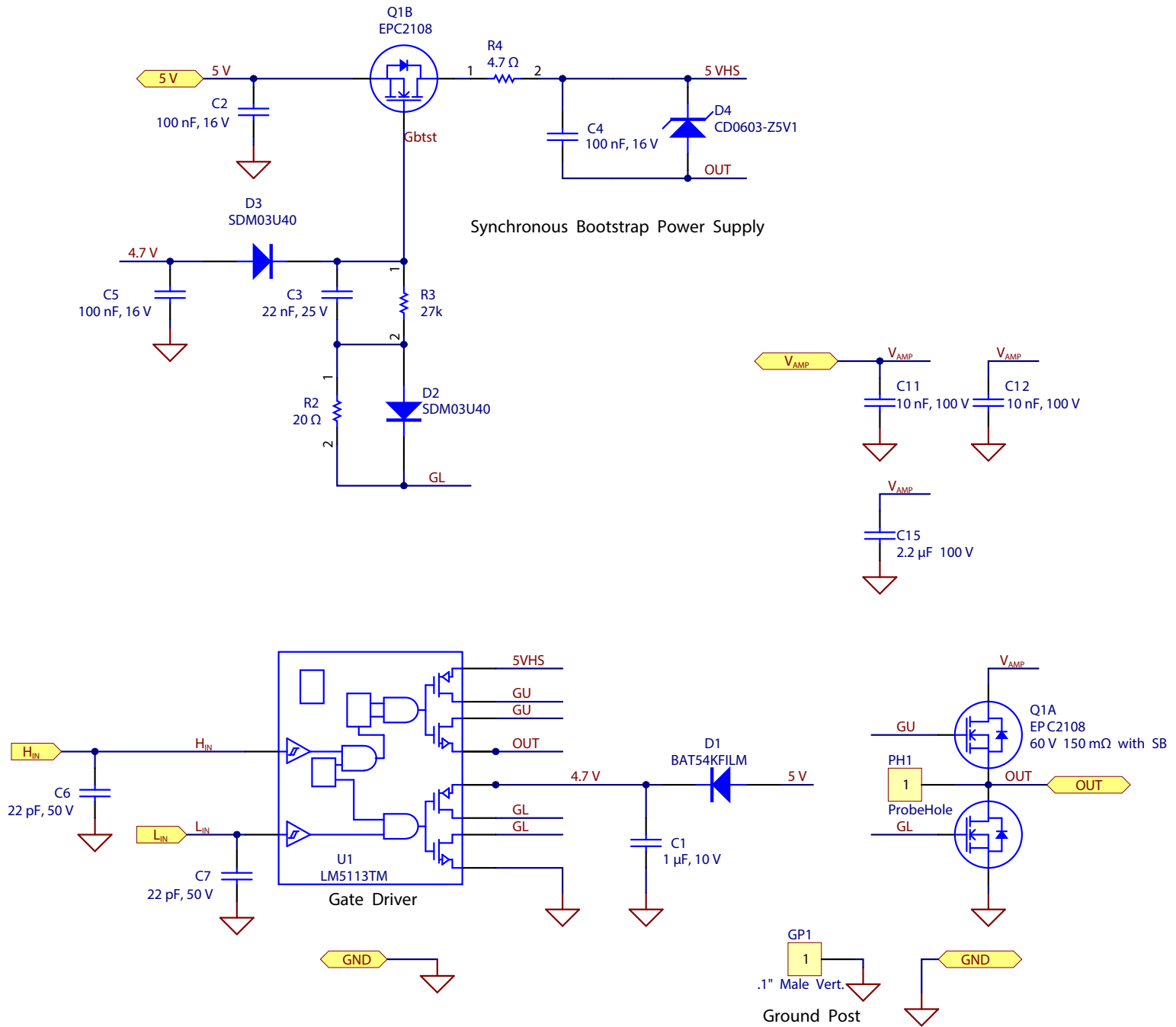


Figure 12: EPC9509 - Gate driver and power devices schematic  
 This schematic is repeated for each single-ended ZVS class D amplifier.

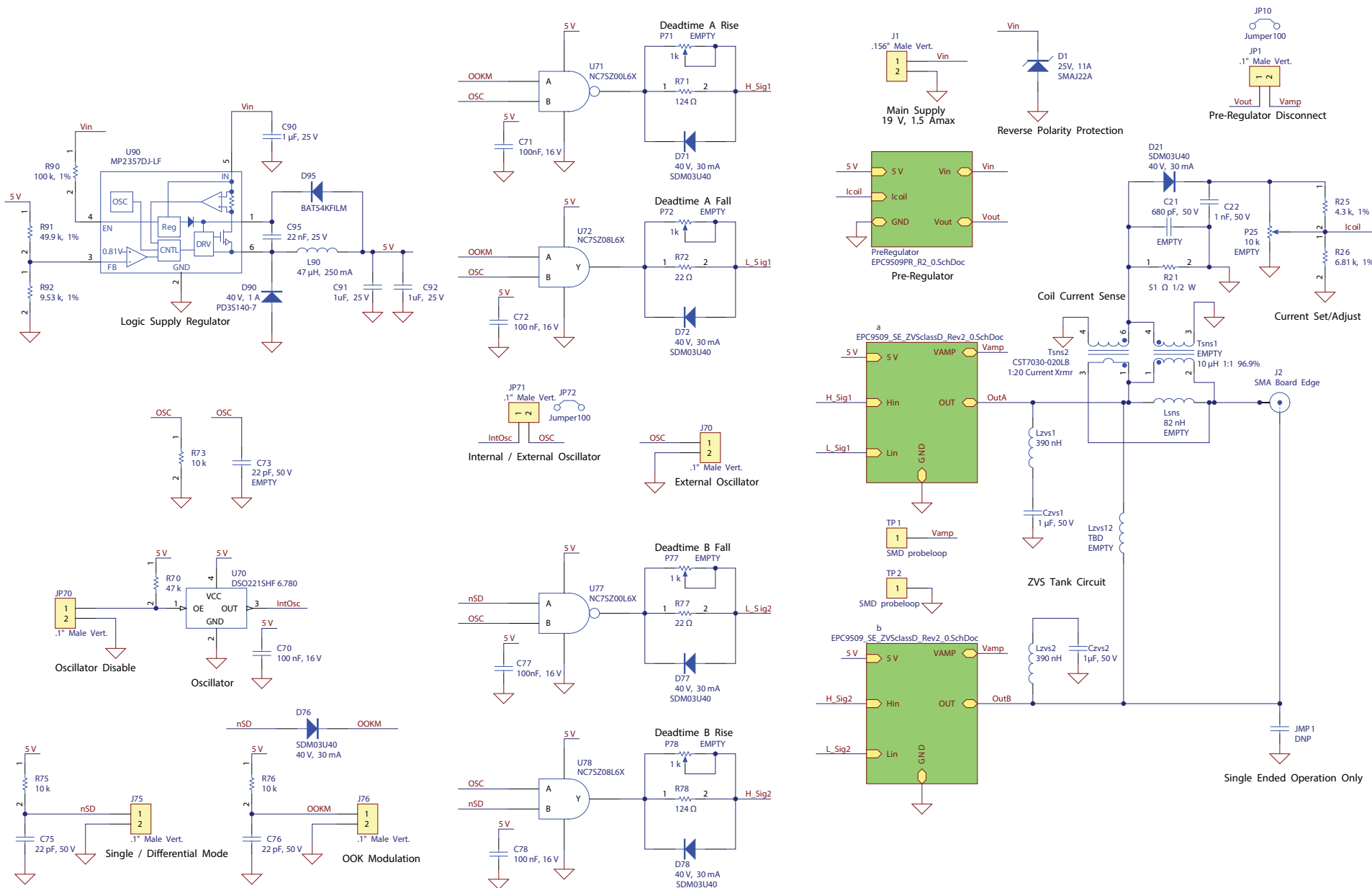


Figure 13: EPC9509 - Pre-regulator schematic.

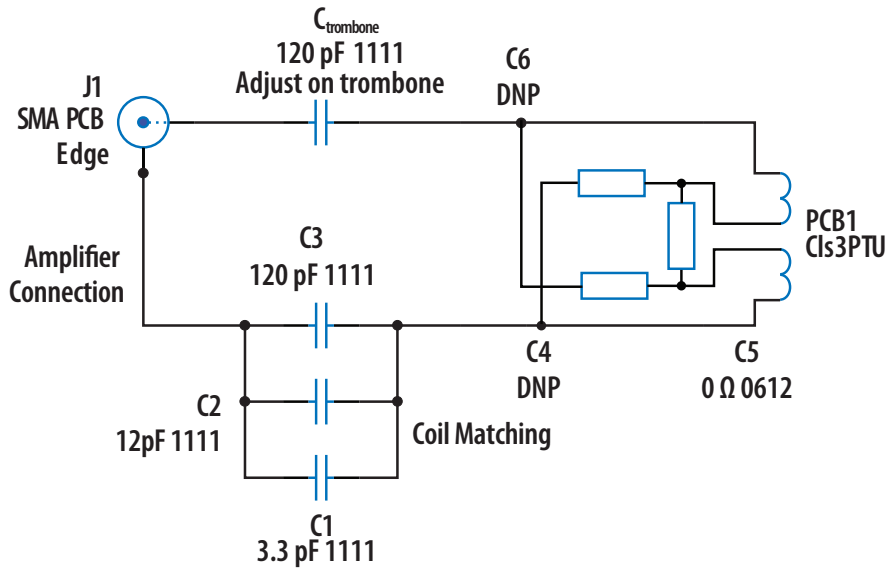


Figure 14: Class 3 source board schematic.

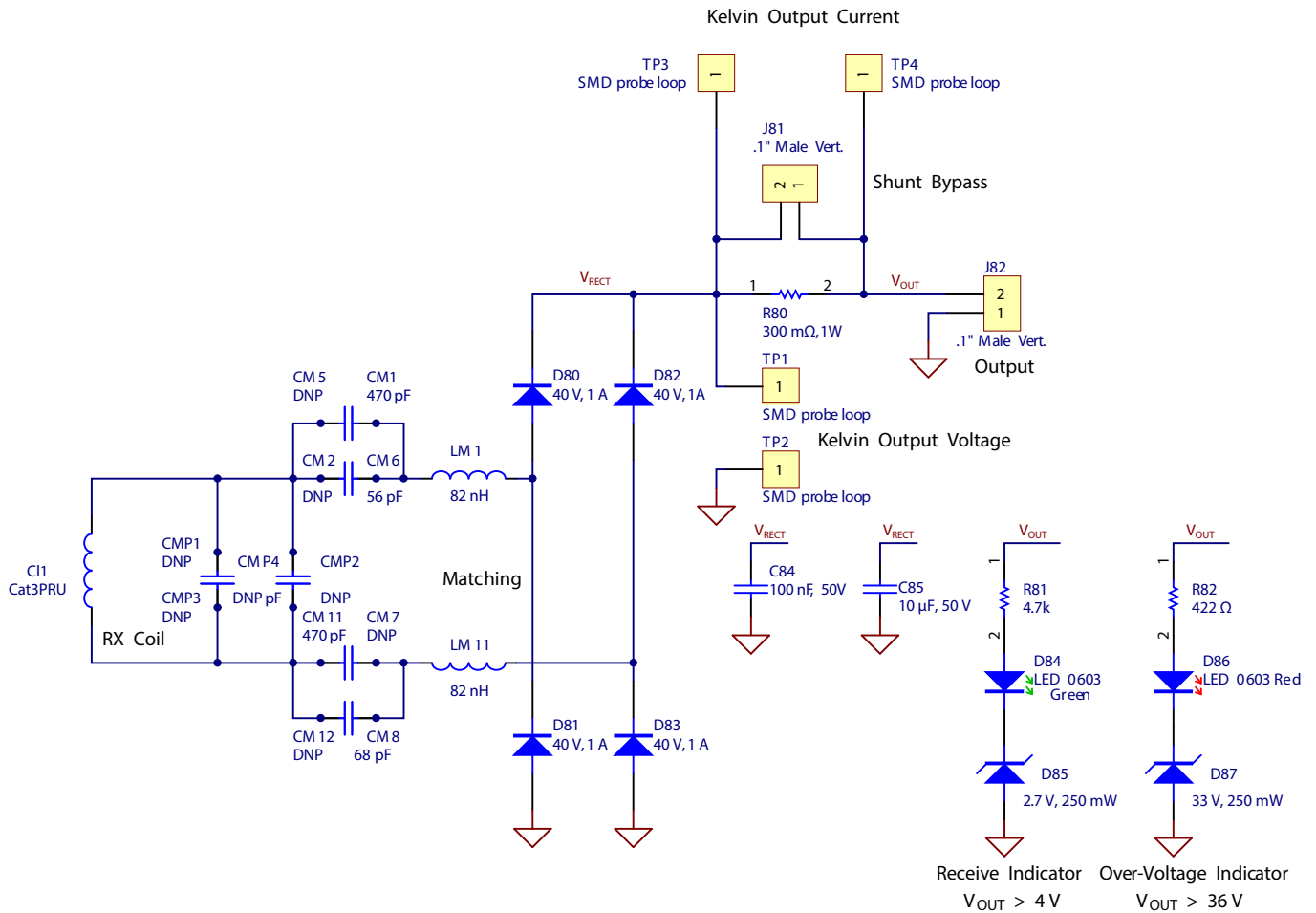


Figure 15: Category 3 device board schematic.