

Figure 4: EPC9147A Main schematic

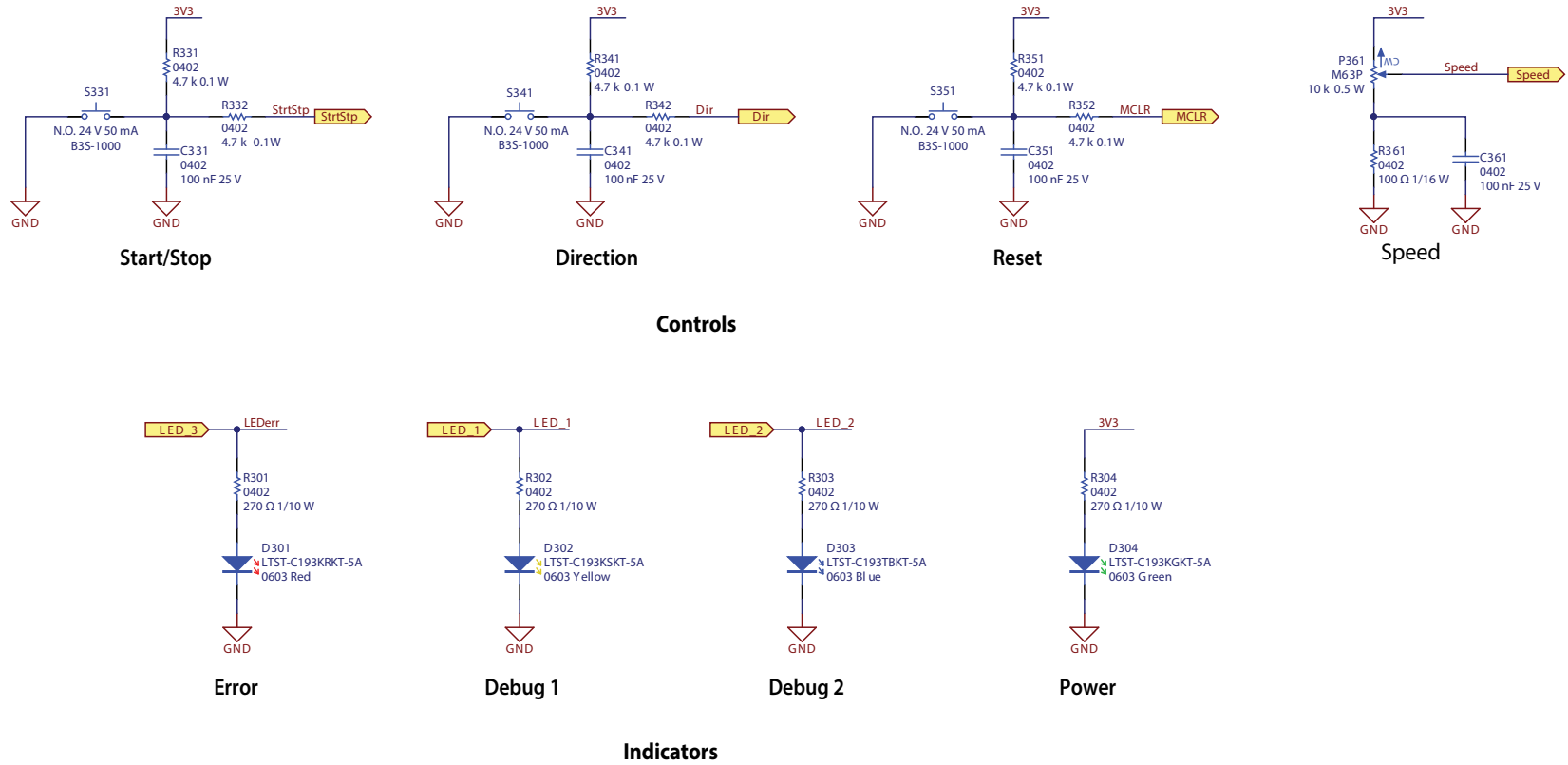


Figure 5: EPC9147A Human Interface schematic

**Data type selector**  
Default set to UART using 5 V

UART 5 V		I2C 3V3	
Install	DNP	Install	DNP
R530	R532	R532	R530
R531	R533	R533	R531
R551	R534	R534	R551
	R535	R535	
	R520	R520	
	R521	R521	
	R552	R552	

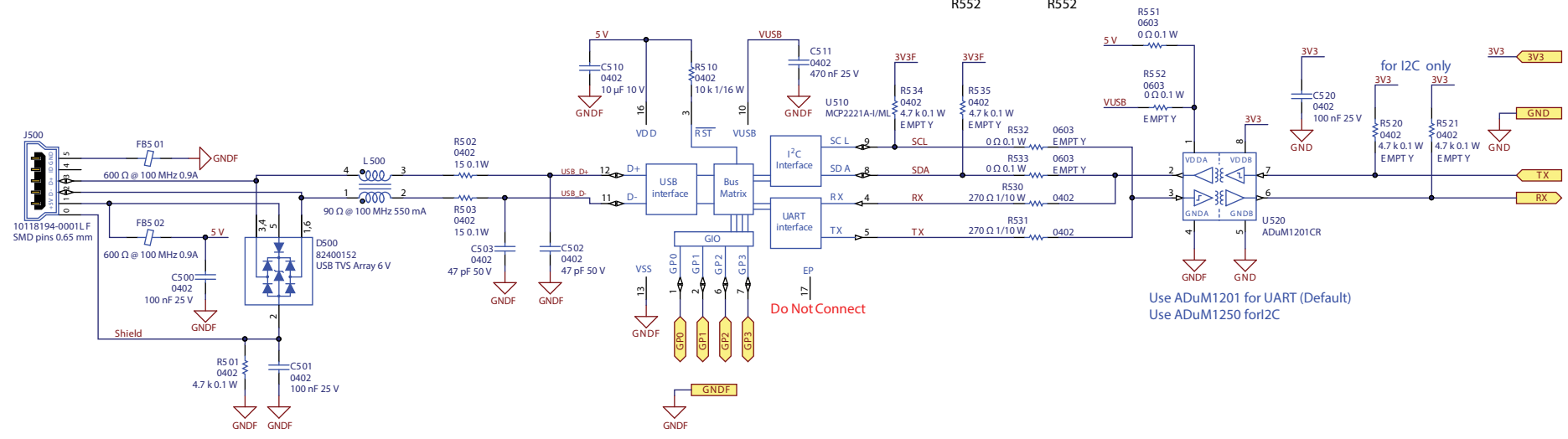


Figure 6: EPC9147A USB schematic

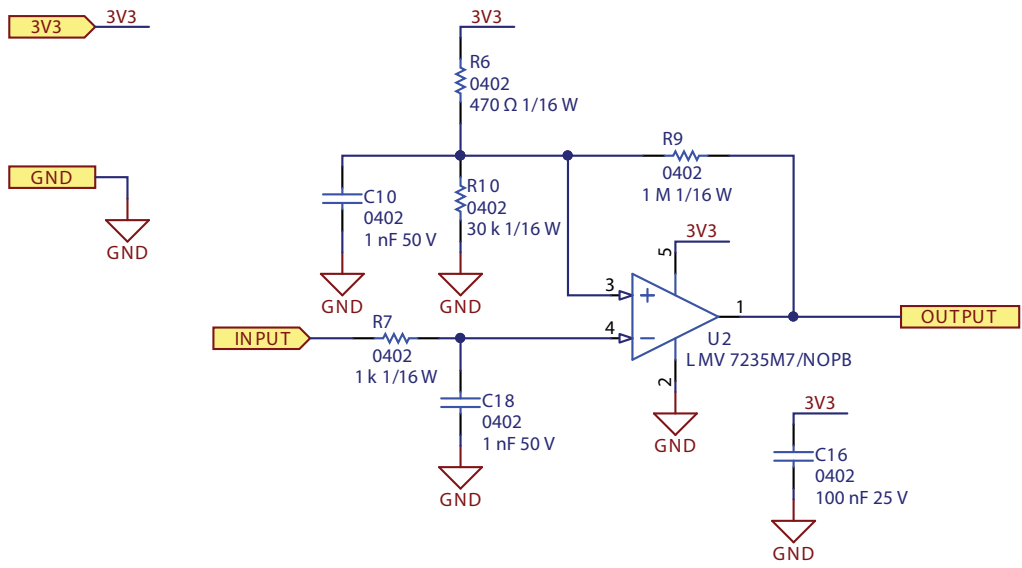


Figure 7: EPC9147A Over-current Detect schematic

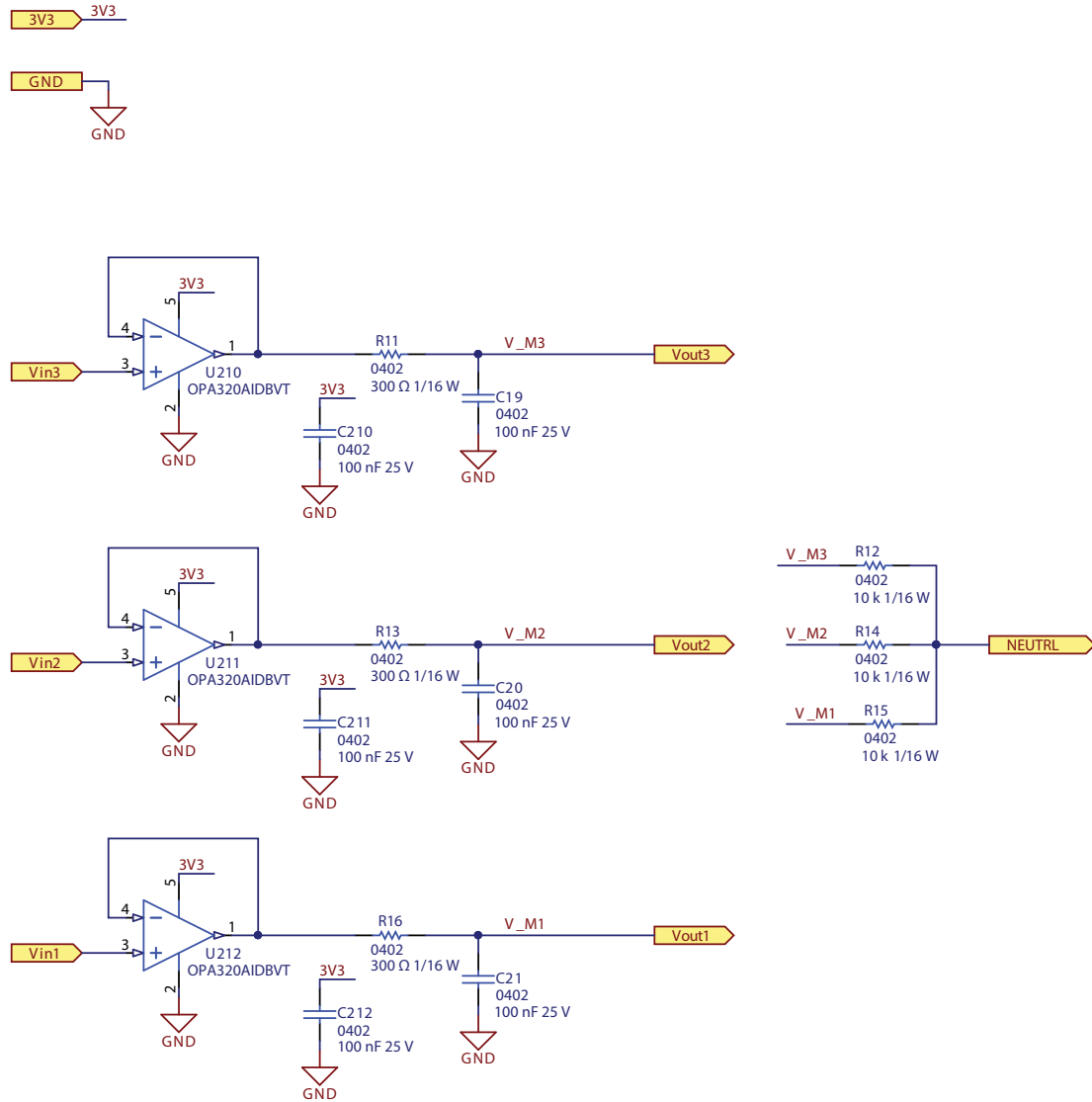


Figure 8: EPC9147A Phases and Neutral Voltage Feedback schematic