

Figure 6: EPC9510-ZVS Class-D Schematic

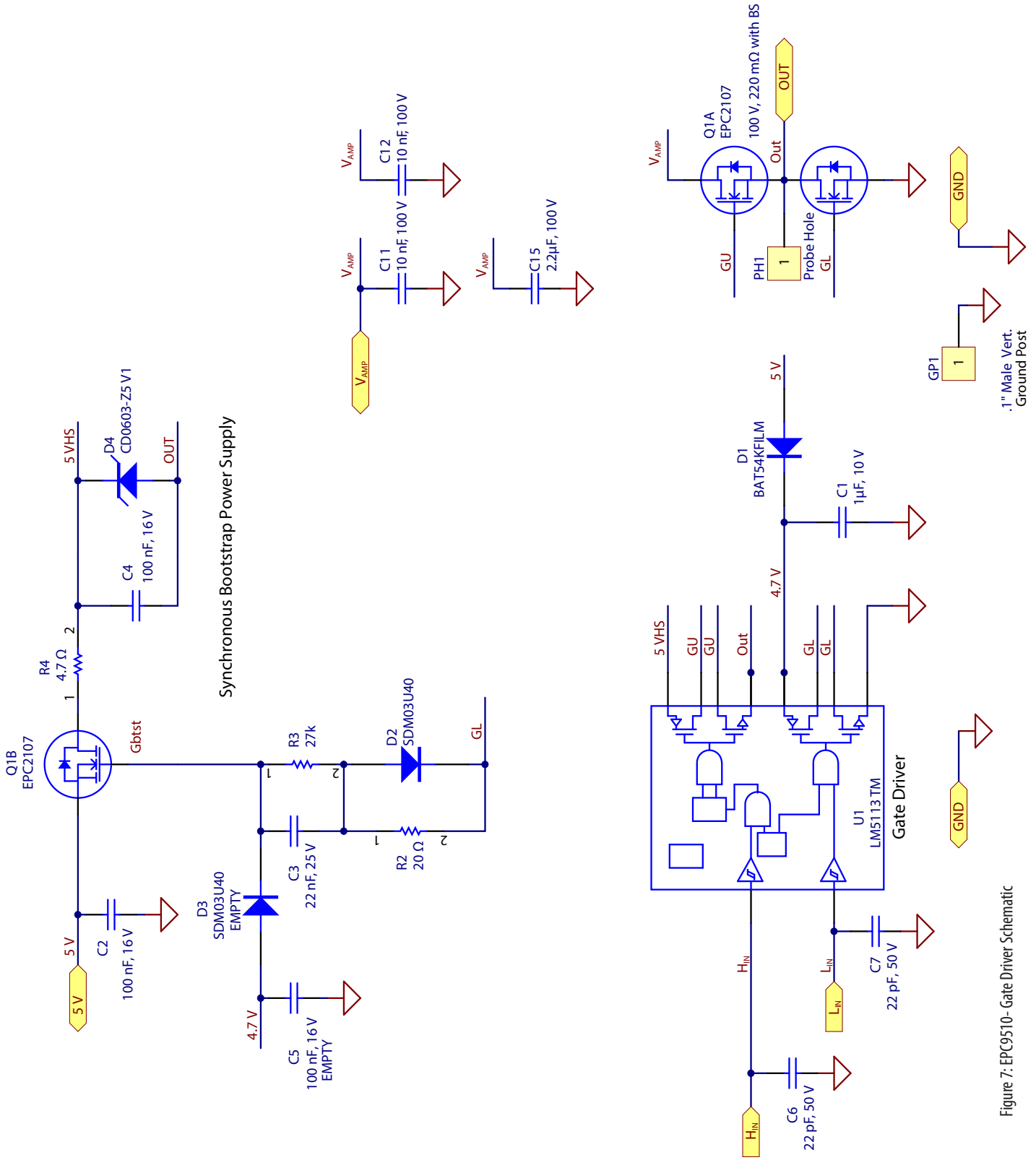


Figure 7: EPC9510 - Gate Driver Schematic

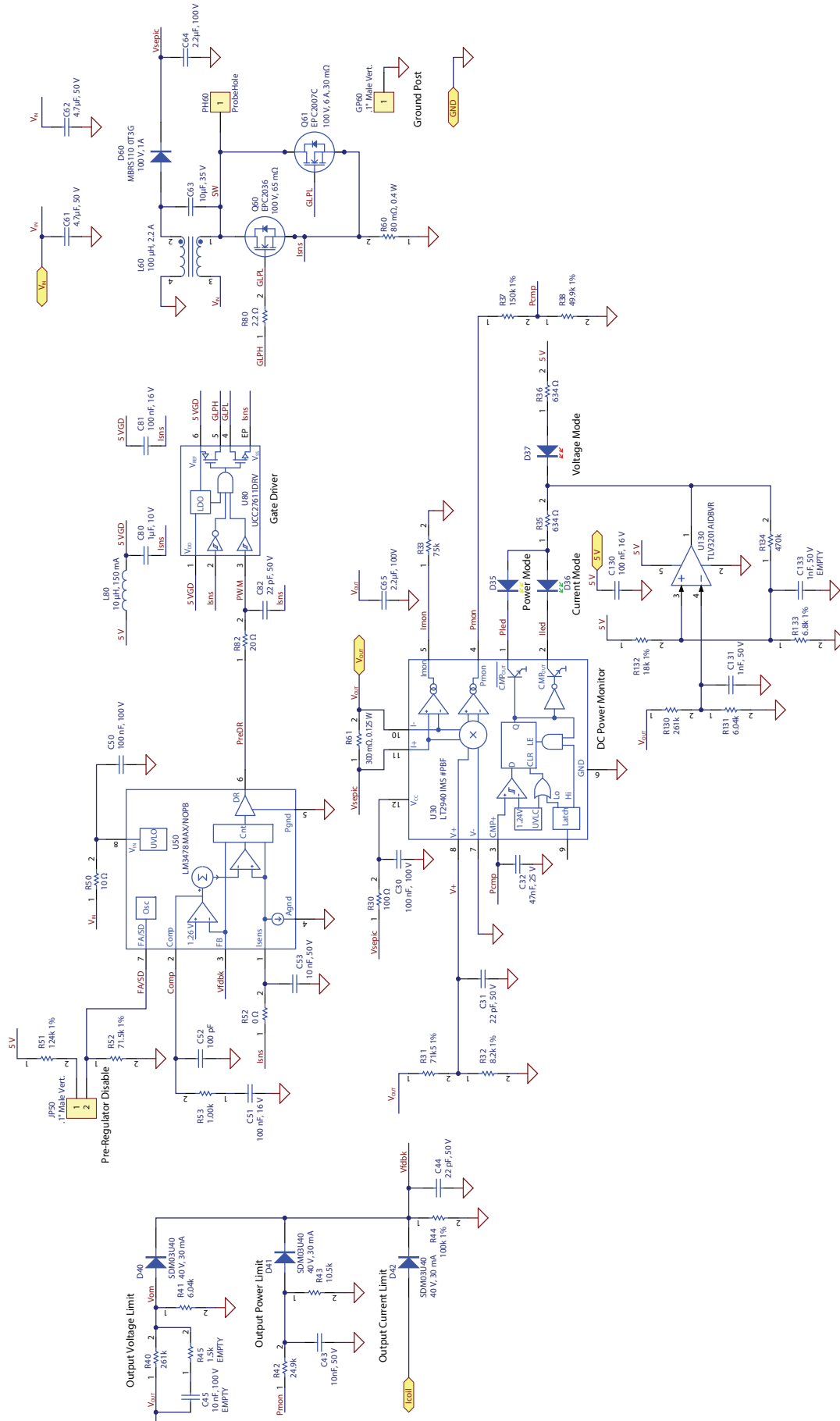


Figure 8: EPC9510 Pre-Regulator Schematic